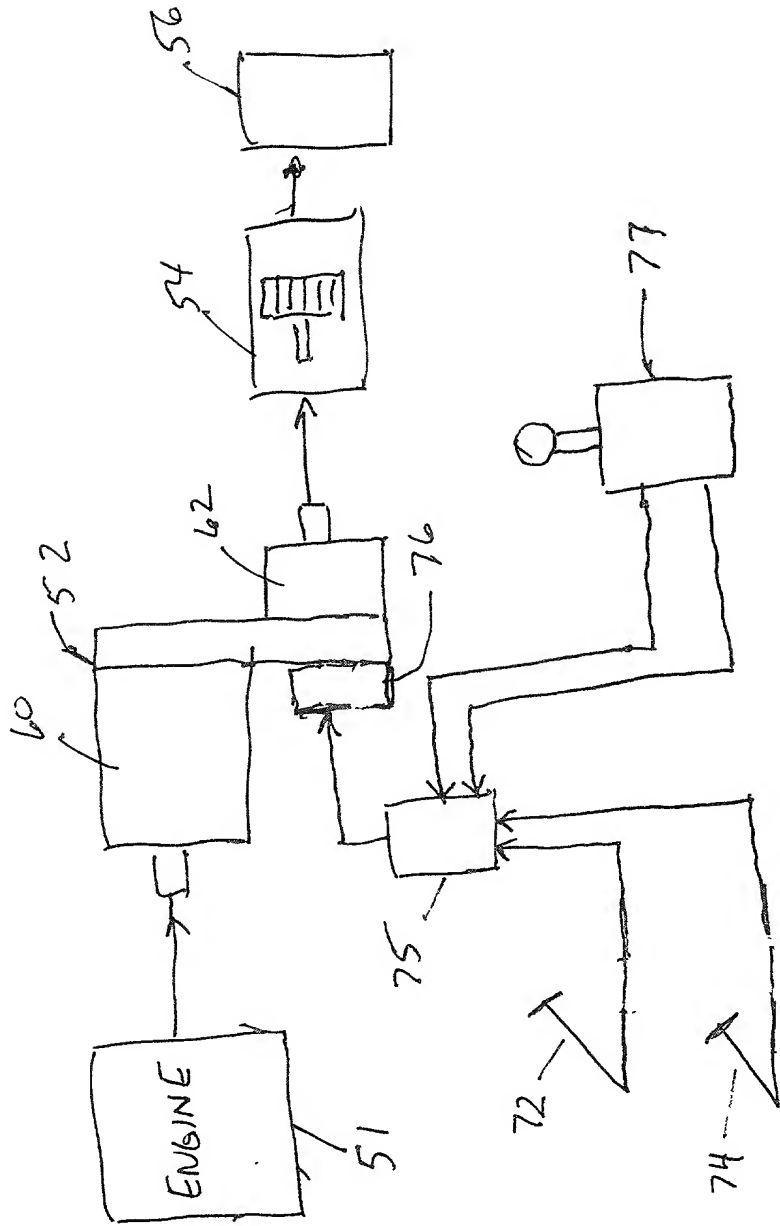
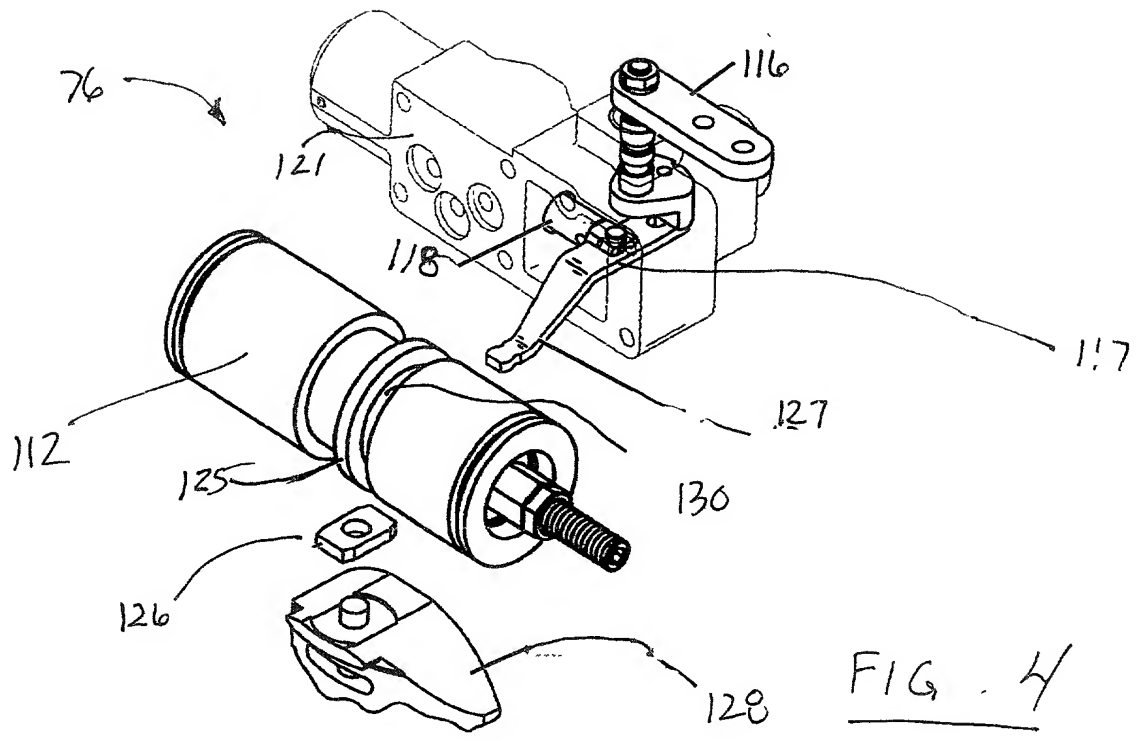
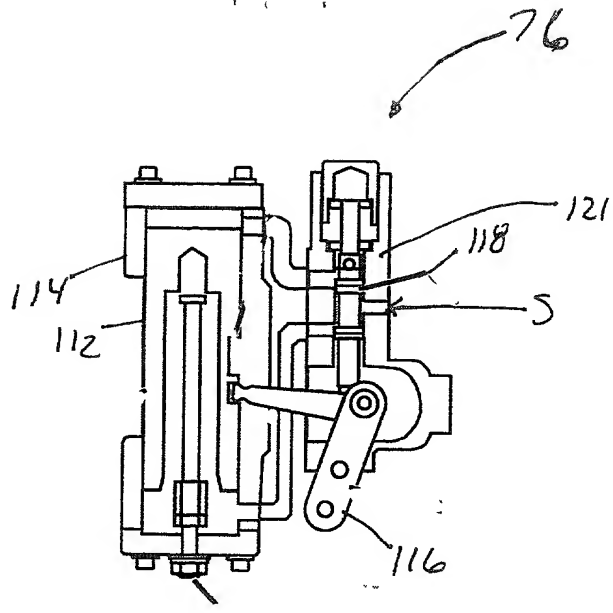


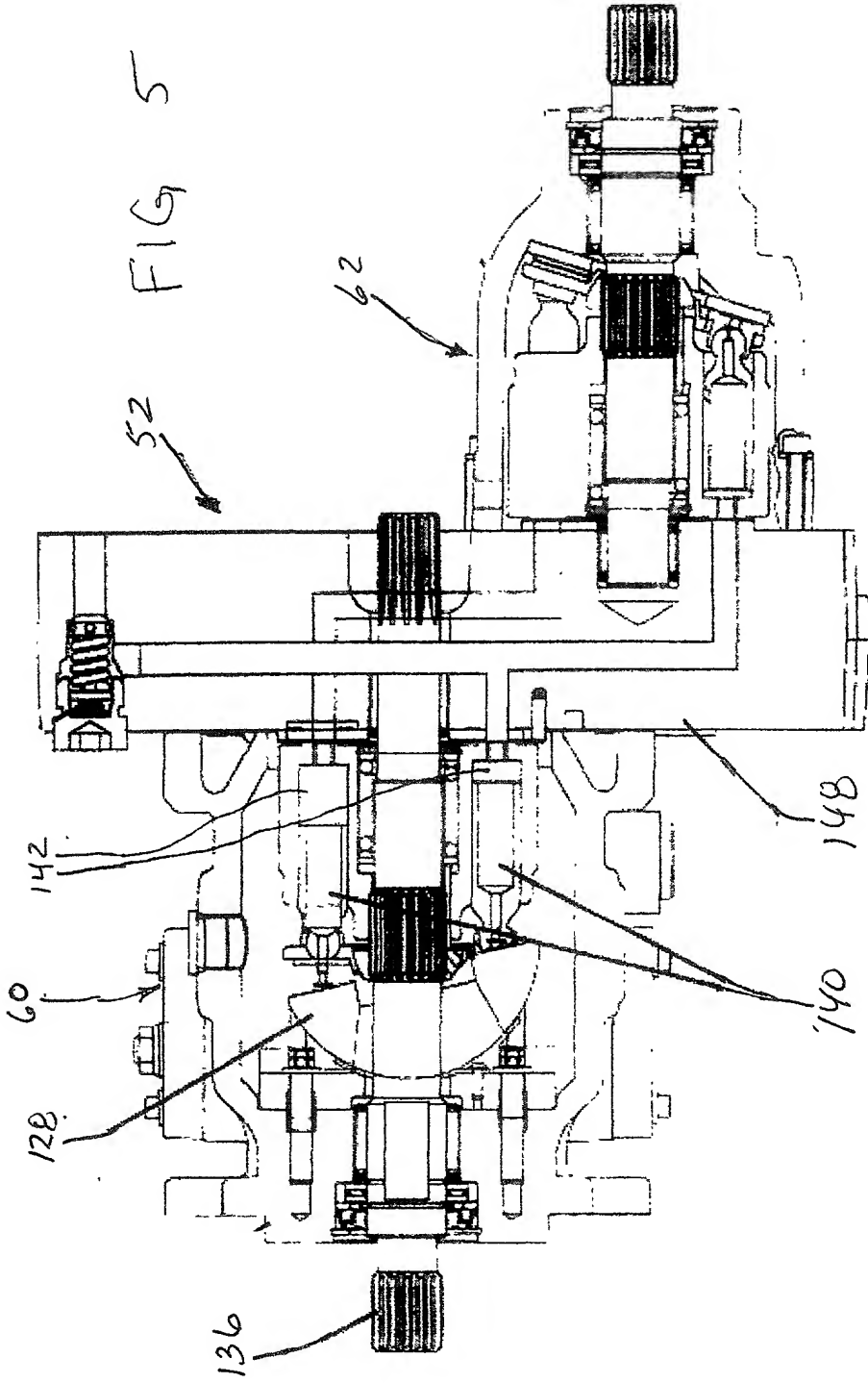
FIG 1

FIG 2



FOOT SUPPORT





ROTOR SUPPORT

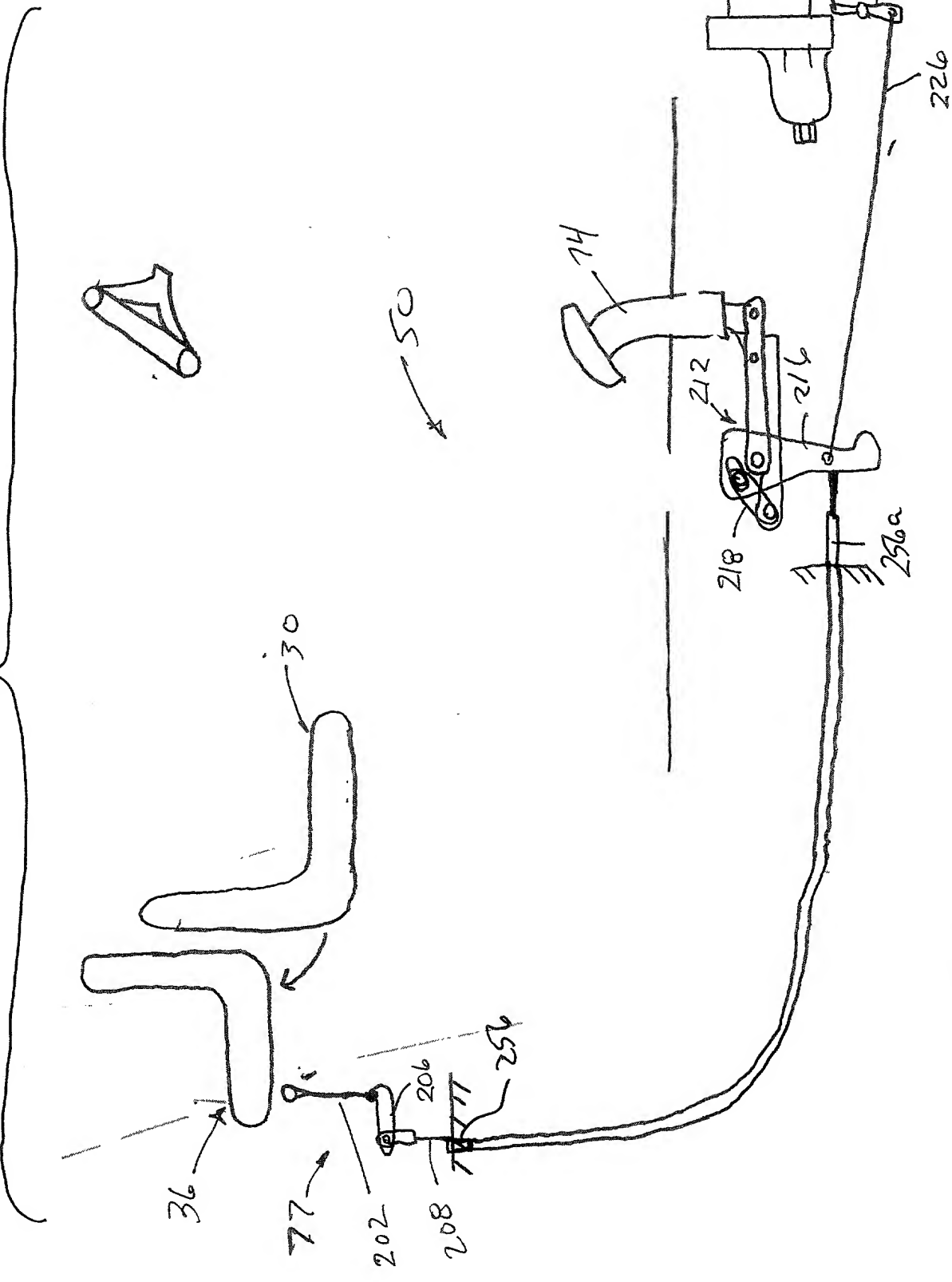


FIG 6

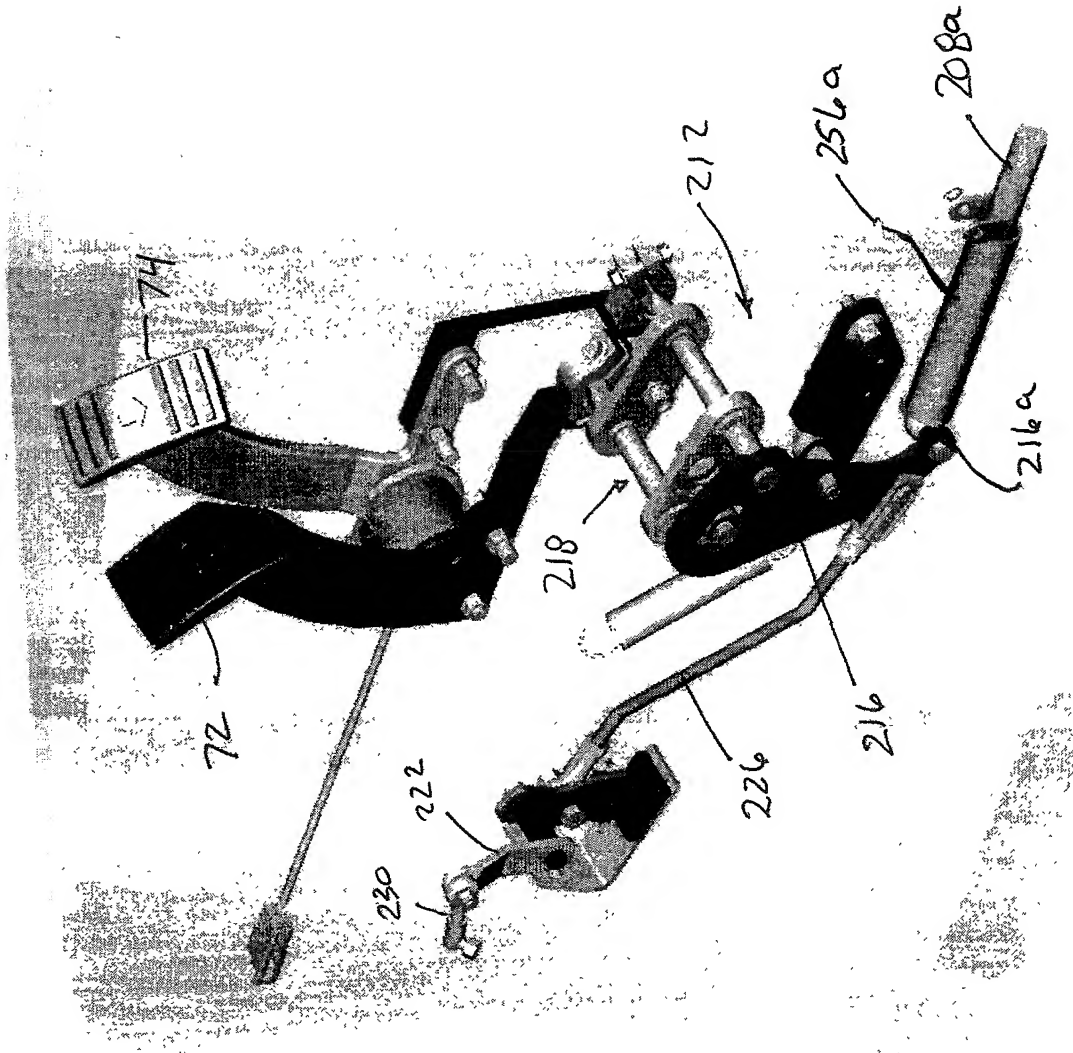


FIG 7

FOOT SUPPORT

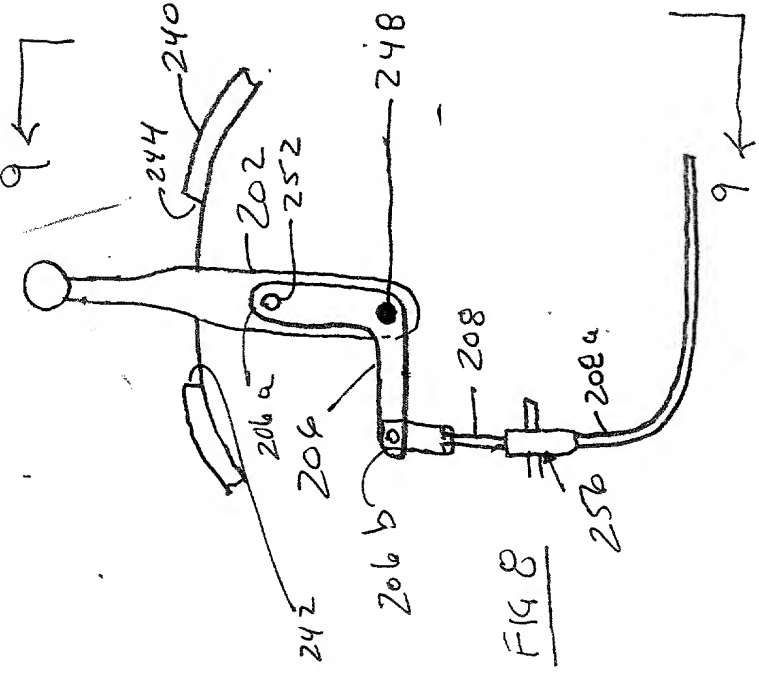


FIG 8

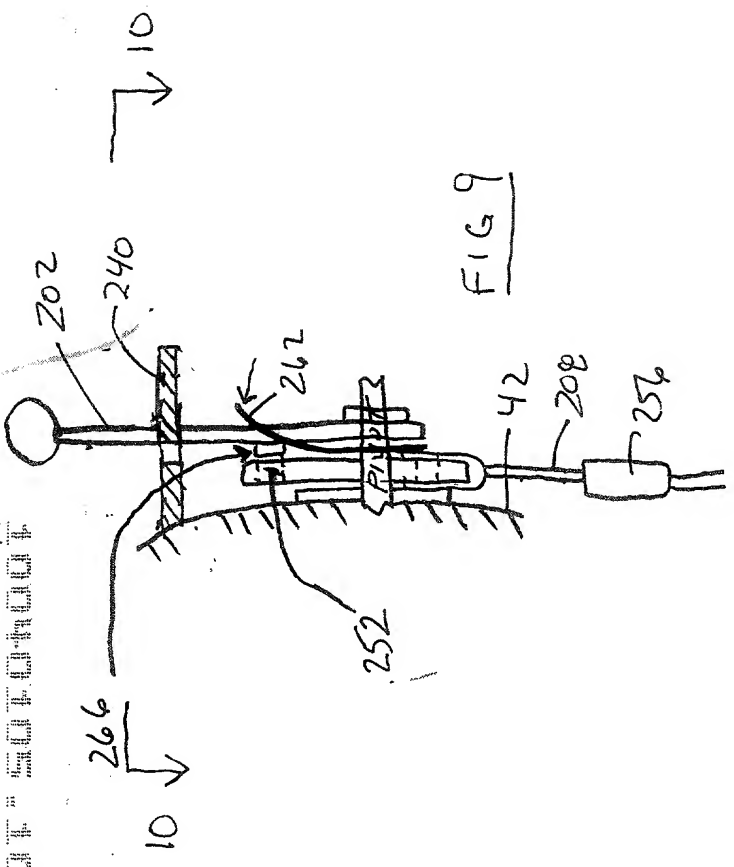


FIG 9

← N →

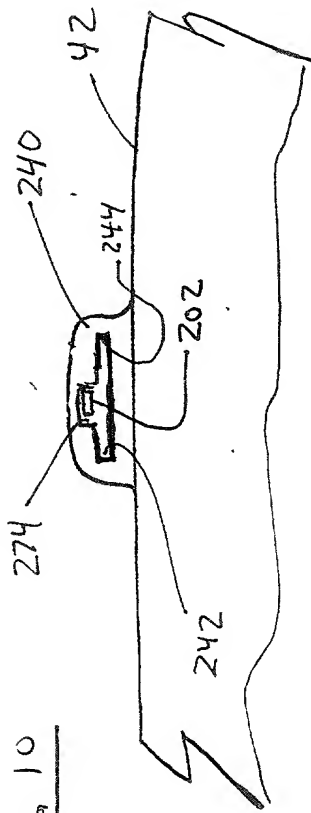


FIG 10

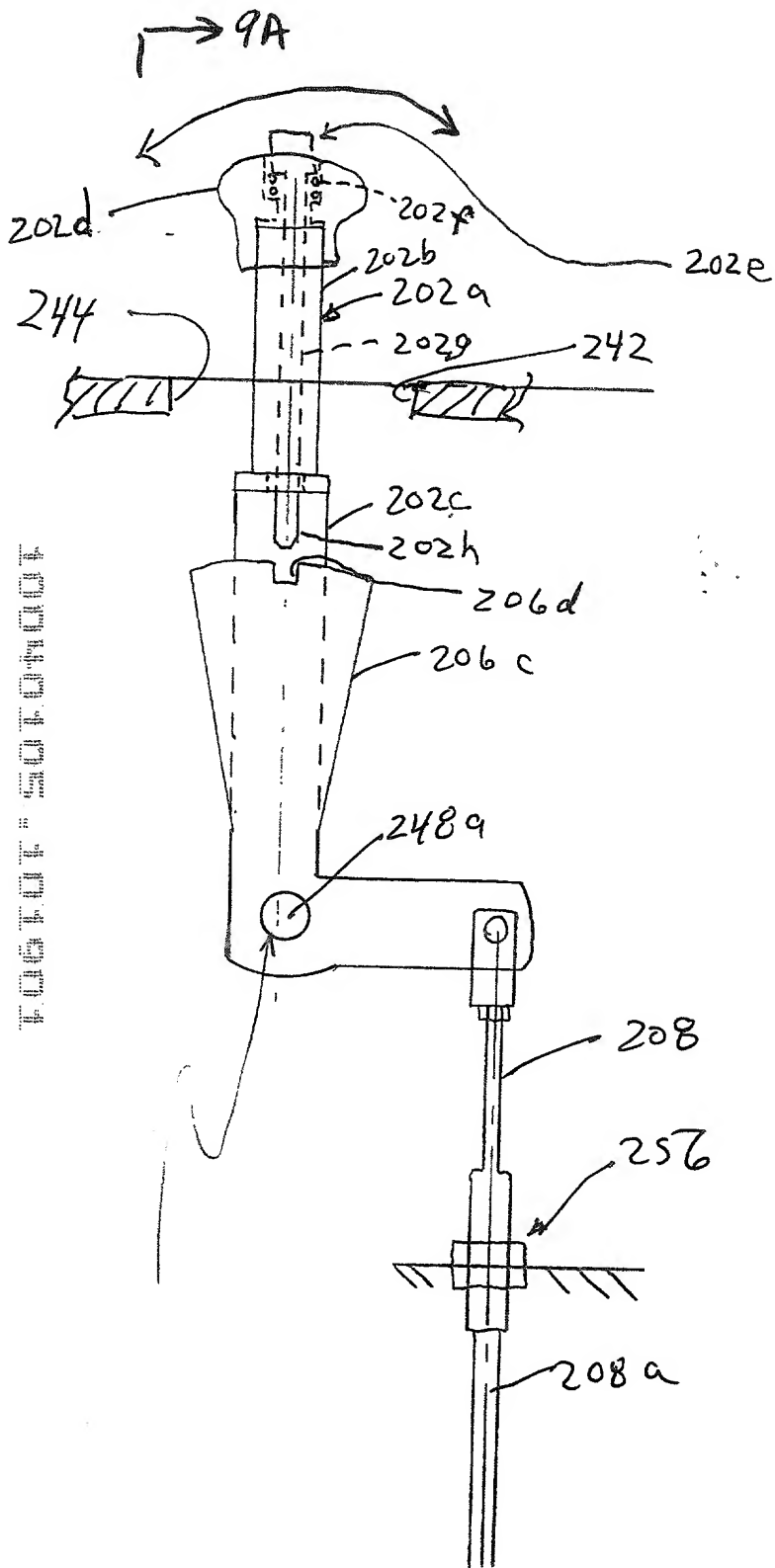


FIG 8A

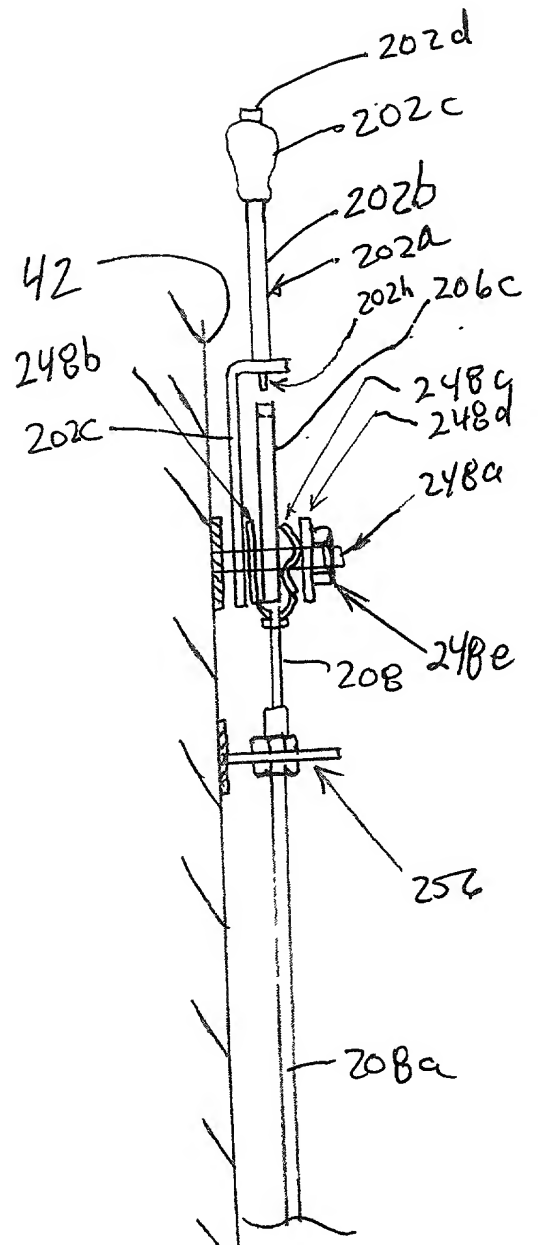


FIG 9A



FIGURE 10

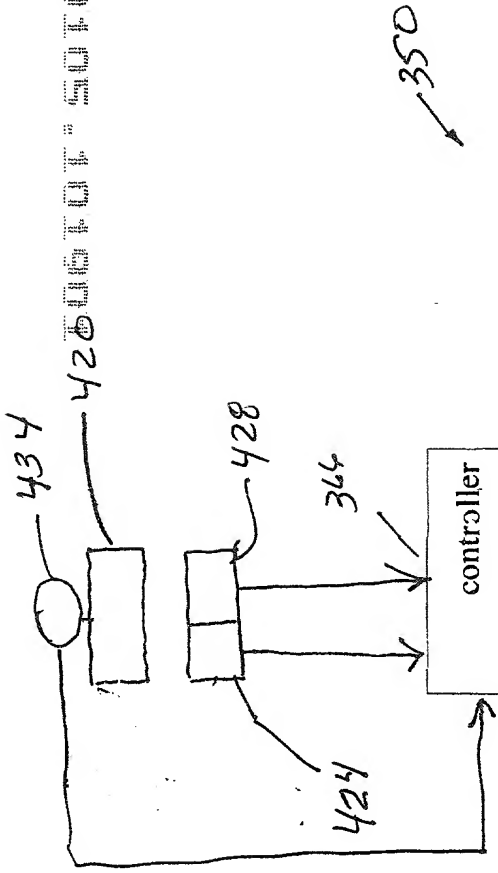
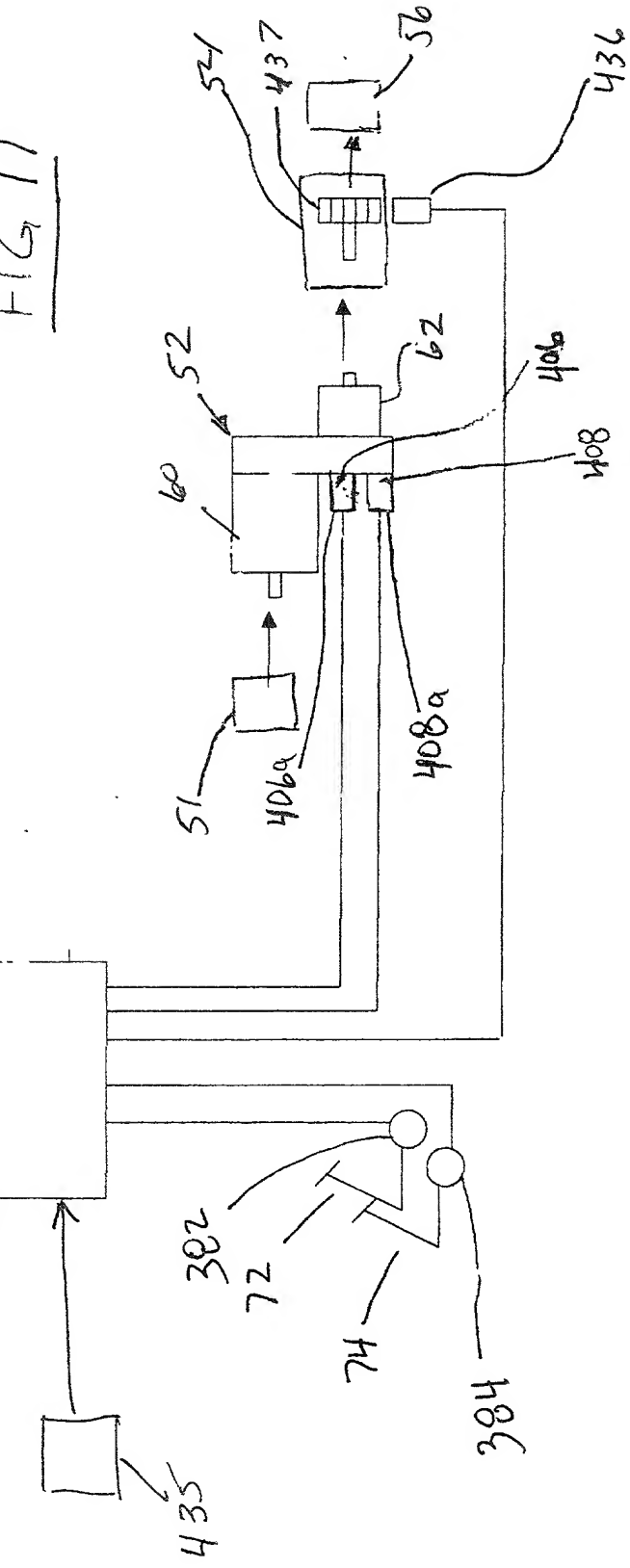
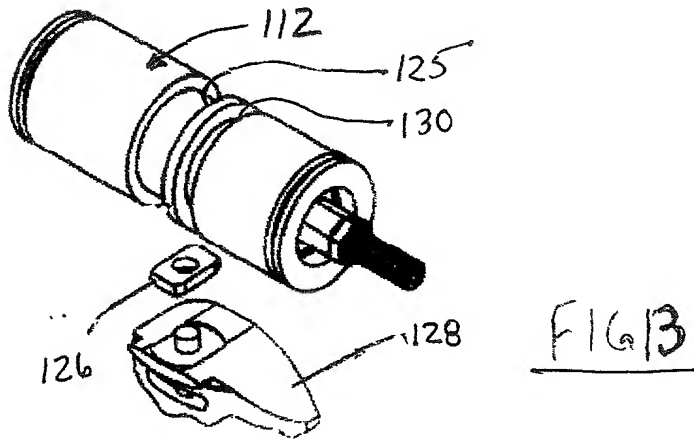
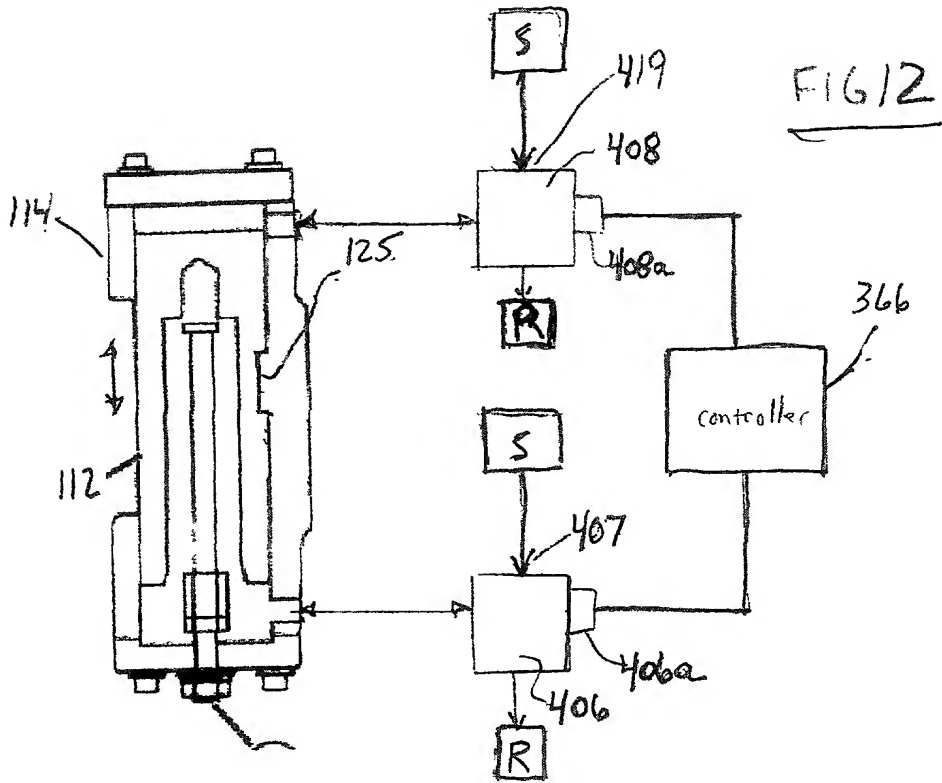


FIG 11





FOOTNOTES

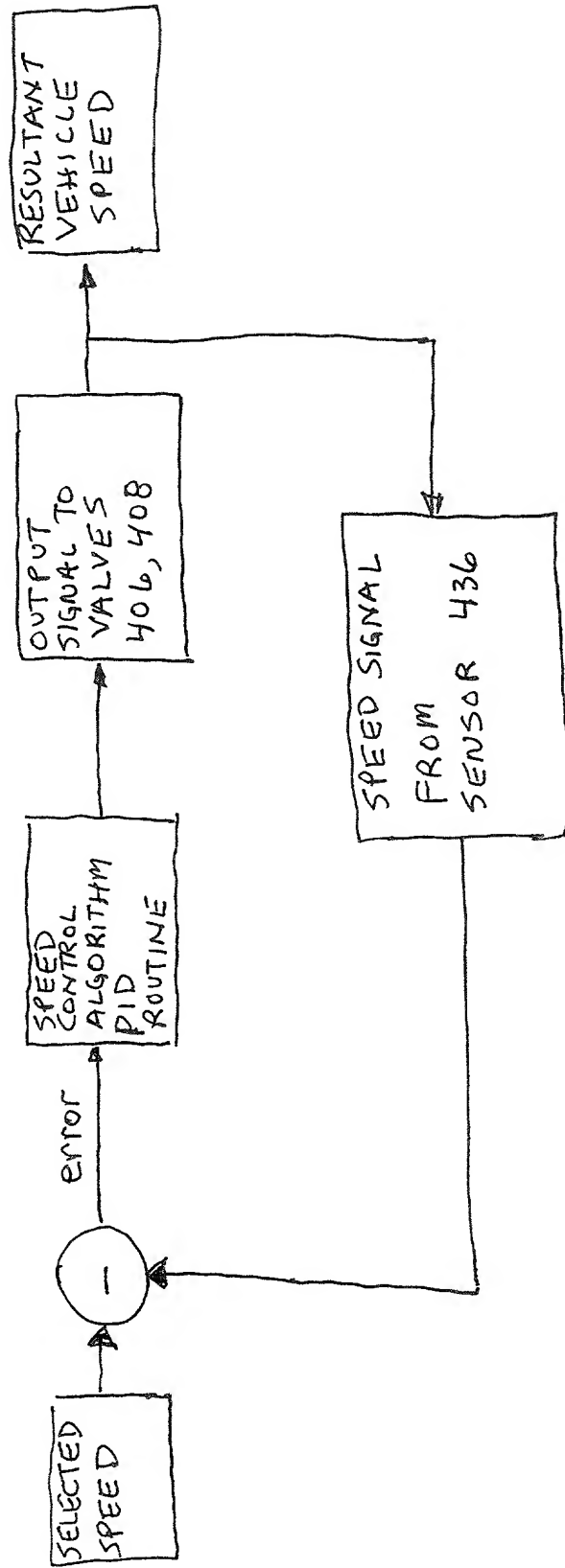


FIG 14

FOOT SUPPORT

FIG 15

